
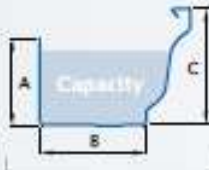



Rooftek Solutions – Gutters


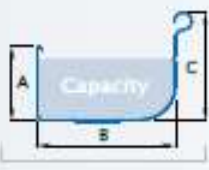
S Gutter / Ovolo


DIMENSIONS	TYPE	A	B	C
	S Gutter	67	83	90

CAPACITY	TYPE	Standard	Slotted
	S Gutter	5315 mm ²	4609 mm ²

Quad Gutter


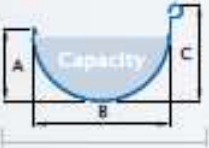

Check type availability with your State prior to ordering.



DIMENSIONS	115	125	125 SA	150	175
A	61	61	65	79	100
B	115	127	127	138	157
C	90	89	84	76	92

CAPACITY(mm ²)	115	125	125 SA	150	175
Standard	5621	6213	6697	8685	13767
Slotted	5057	5592	-	-	12213

Half Round

DIMENSIONS	TYPE	A	B	C
	Half Round	78	148	104
	Half Round NSW	69	148	102

CAPACITY	TYPE	Standard	Slotted
	Half Round	7703 mm ²	7126 mm ²
	Half Round NSW	6384 mm ²	4963 mm ²

VF Gutter

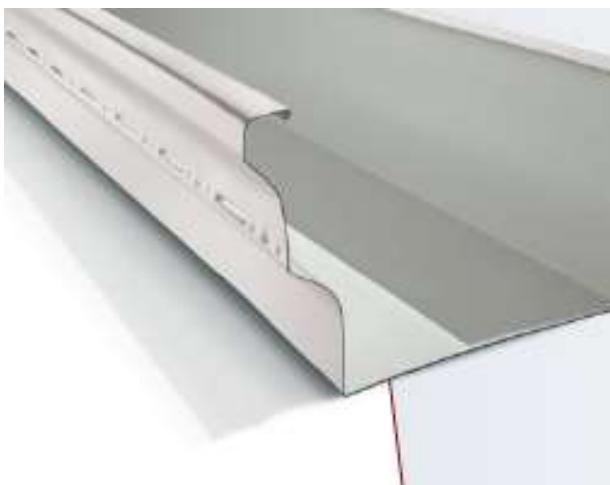
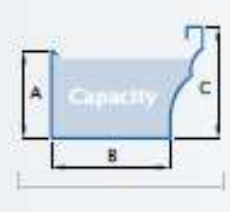





DIMENSIONS	TYPE	A	B	C
	VF	76	119	130
	VF (WA)	76	121	128

CAPACITY	TYPE	Standard	Slotted
	VF	7839 mm ²	5475 mm ²
	VF (WA)	7984 mm ²	-


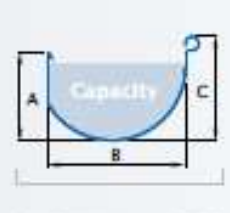

OG Gutter

DIMENSIONS	TYPE	A	B	C
	450 Girth	110	150	140
	600 Girth	140	210	200

CAPACITY	TYPE	Slotted
	450 Girth	9881 mm ²
	600 Girth	26345 mm ²

Smoothline Gutter

DIMENSIONS	TYPE	A	B	C
	Smoothline	87	138	104
	Smoothline NSW	68	134	102

CAPACITY	TYPE	Standard	Slotted
	Smoothline	8748 mm ²	6961 mm ²
	Smoothline NSW	5944 mm ²	4864 mm ²